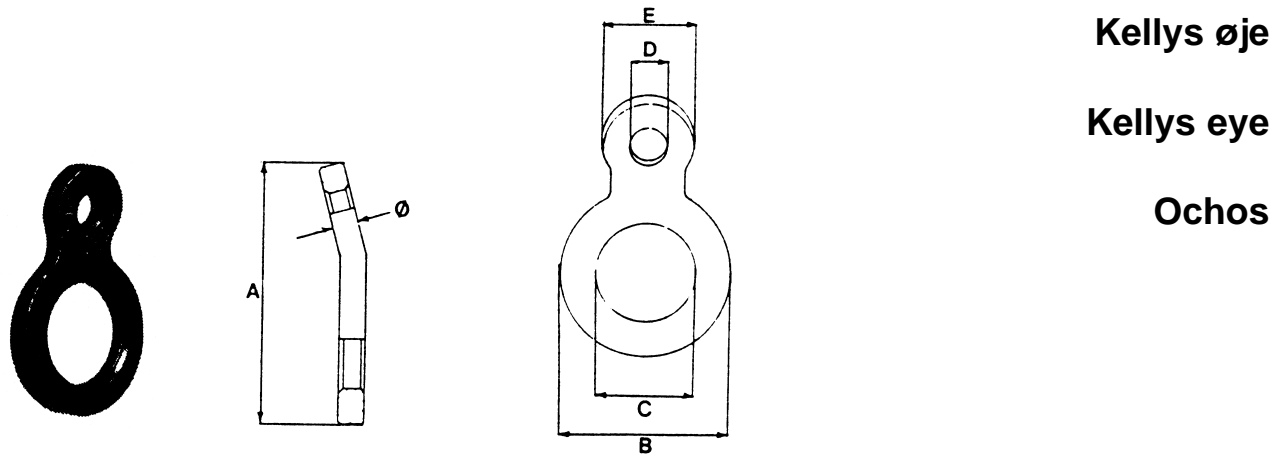


Vare nr. Part no. Parte no.	Ø	SWL 5:1	A	B	C	C1	C2	D	E	F	G	H	Vægt Weight Peso
	mm	Ton	mm	mm	mm	mm	mm	mm	mm	mm	mm	mm	kg
E90-32S	32	12,0	285	115	-	52	95	43	110	-	-	-	8,0
E90-38S	38	19,0	365	136	-	60	100	50	128	-	-	-	12,5
E90-30S	30	12,0	267	114	45	-	-	57	154	92	34	141	6,0
E90-40S	40	19,0	267	114	45	-	-	57	154	92	34	141	8,5
E90S	40	19,0	315	135	50	-	-	48	185	110	38	165	10,5

Reserve dele, Spare parts, Repuestos:

PE90-32: Bolt/Pin for stopper / Pasador p/retén
SE90-32: Split for stopper / Punzón p/retén



Vare nr. Part no. Parte no.	Str. Size Tamaño = Ø	SWL 5:1	A	B	C	D	E	Vægt Weight Peso
	mm	Ton	mm	mm	mm	mm	mm	kg
E90-25	25	7,0	220	135	75	33	85	2,8
E90-30	30	12,0	300	200	123	43	110	6,5
E90-38	40	19,0	360	235	145	50	135	12,0
E90-40	40	19,0	310	205	123	43	120	9,8