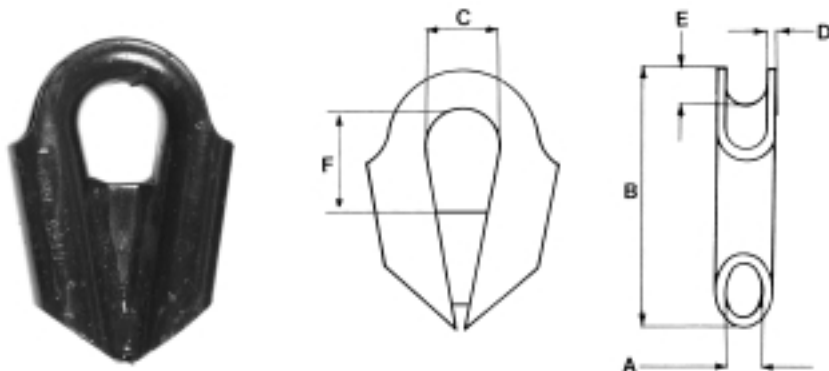


**Wirekovse**  
Blå

**Wire thimble**  
Blue

**Guardacabo  
para cable**  
Azul

Vare nr. Part no. Parte no.	A	B	C	D	E	Vægt Weight Peso	For wire max. For wire max. P/cable max.
	mm	mm	mm	mm	mm	kg	mm
G 212	12	95	23	4,0	8	0,25	10
G 215	15	109	27	5,0	10	0,42	12
G 217	17	115	27	5,0	10	0,50	14
G 219	19	125	32	5,0	12	0,60	16
G 222	22	140	35	5,0	15	0,75	18
G 225	25	158	45	6,3	16	1,23	22
G 228	28	176	45	7,0	16	1,54	24
G 230	30	195	47	7,0	18	1,82	26
G 235	35	210	60	7,0	22	2,40	32
G 245	45	253	70	7,0	27	3,30	38
G 250	50	280	75	7,0	28	4,06	44



**Wirekovse**  
Blå  
Med kile

**Wire thimble**  
Blue  
With gusset

**Guardacabo  
para cable**  
Azul  
Con cuña

Vare nr. Part no. Parte no.	A	B	C	D	E	F	Vægt Weight Peso	For wire max. For wire max. P/cable max.
	mm	mm	mm	mm	mm	mm	kg	mm
G 212 K	12	95	23	4,0	8	48	0,28	10
G 215 K	15	109	27	5,0	10	49	0,46	12
G 217 K	17	115	27	5,0	10	40	0,54	14
G 219 K	19	125	32	5,0	12	43	0,67	16
G 222 K	22	140	35	5,0	15	58	0,80	18
G 225 K	25	158	45	6,3	16	59	1,36	22
G 228 K	28	176	45	7,0	16	61	1,65	24
G 230 K	30	195	47	7,0	18	78	2,00	26
G 235 K	35	210	60	7,0	22	93	2,73	32
G 245 K	45	253	70	7,0	27	94	3,64	38
G 250 K	50	280	75	7,0	28	96	4,23	44

Mod tillæg kan wirekovser leveres galvaniseret. Tilføj "G", f.eks. G 225 KG.  
Against extra charge wire thimbles are available galvanized. Add "G", e.g. G 225 KG.  
Guardacabos son disponibles galvanizados. Add "G". p.e. G 225 KG.