

**Wirekovse**

Blå

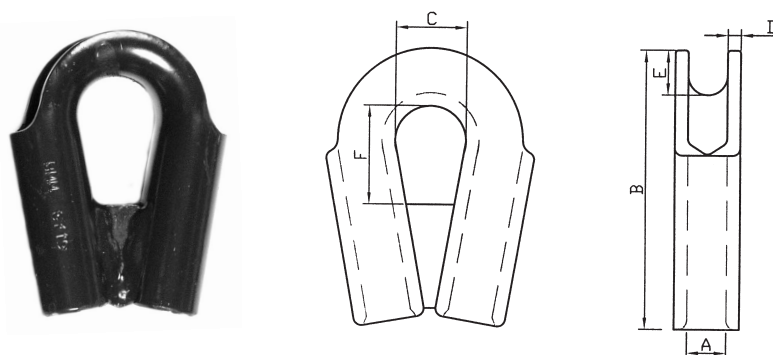
**Wire thimble**

Blue

**Guardacabo  
para cable**

Azul

Vare nr. Part no. Parte no.	A	B	C	D	E	Vægt Weight Peso	For wire max. For wire max. P/cable max.
	mm	mm	mm	mm	mm	kg	mm
G 712	12	84	23	4,0	8	0,21	10
G 715	15	95	27	5,0	10	0,40	12
G 717	17	100	27	5,0	10	0,48	14
G 719	19	112	32	5,0	12	0,60	16
G 722	22	125	35	5,0	15	0,71	18
G 725	25	150	45	6,3	16	1,21	22
G 728	28	157	45	7,0	16	1,60	24
G 730	30	170	47	7,0	18	1,91	25
G 735	35	190	60	7,0	22	2,36	32
G 740	40	212	70	9,0	36	3,46	36
G 745	45	228	70	7,0	27	3,54	38
G 750	50	255	75	7,0	35	4,20	42
G 755	55	268	80	7,5	31	4,80	48



**Wirekovse**

Blå

Med kile

**Wire thimble**

Blue

With gusset

**Guardacabo  
para cable**

Azul

Con cuña

Vare nr. Part no. Parte no.	A	B	C	D	E	F	Vægt Weight Peso	For wire max. For wire max. P/cable max.
	mm	mm	mm	mm	mm		kg	mm
G 712 K	12	84	23	4,0	8	24	0,36	10
G 715 K	15	95	27	5,0	10	31	0,52	12
G 717 K	17	100	27	5,0	10	38	0,55	14
G 719 K	19	112	32	5,0	12	46	0,65	16
G 722 K	22	125	35	5,0	15	47	0,90	18
G 725 K	25	150	45	6,3	16	61	1,26	22
G 728 K	28	157	45	7,0	16	56	1,64	24
G 730 K	30	170	47	7,0	18	68	2,02	25
G 735 K	35	190	60	7,0	22	73	2,50	32
G 740 K	40	212	70	9,0	36	80	3,70	36
G 745 K	45	228	70	7,0	27	94	3,71	38
G 750 K	50	255	75	7,0	35	97	4,65	42
G 755 K	55	268	80	7,5	31	99	4,90	48

Mod tillæg kan wirekovser leveres galvaniseret. Tilføj "G", f.eks. G 225 KG.

Against extra charge wire thimbles are available galvanized. Add "G", e.g. G 225 KG.

Guardacabos son disponibles galvanizados. Add "G". p.e. G 225 KG.