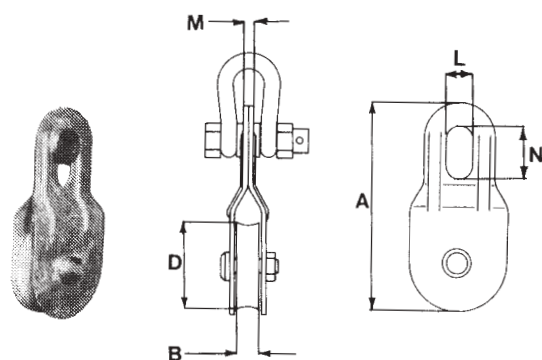


**BMM-Svingblokke**  
**BMM-Swing blocks**  
**BMM-Pasteca abridora**

Galvaniseret  
 Galvanized  
 Galvanizadas

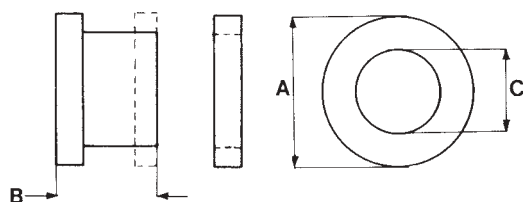


Vare nr. Part no. Parte no.	SWL 5:1	A	B	D	M	L	N	MAX WIRE	Vægt Weight Peso
	Ton	mm	mm	mm	mm	mm	mm	mm	Kg
KSW 1-NG	1,0	190	22	80	13	23	48	16	1,0
KSW 1-NG-30	1,0	190	30	80	13	23	48	24	1,2
KSW 1-1G	1,0	190	22	80	13	23	48	16	1,5
KSW 1-1G-30	1,0	190	30	80	13	23	48	24	1,8
KSW 1-0G	1,0	190	22	80	13	23	48	16	1,5
KSW 1-0G-30	1,0	190	30	80	13	23	48	24	1,8
KSW 2-NG	2,0	255	24	110	15	28	56	18	1,9
KSW 2-1G	2,0	255	24	110	15	28	56	18	2,9
KSW 2-0G	2,0	255	24	110	15	28	56	18	3,0
KSW 3-NG	3,0	350	28	150	16	40	60	20	4,0
KSW 3-1G	3,0	350	28	150	16	40	60	20	6,3
KSW 3-0G	3,0	350	28	150	16	40	60	20	6,4

Vare nr. Part no. Parte no.	SWL 5:1	A	B	D	M	L	N	MAX WIRE	Vægt Weight Peso
	mm	mm	mm	mm	mm	mm	mm	mm	Kg
KSW 1 -1SS	1,0	190	22	80	24	13	48	16	1,6
KSW 2 -1SS	2,0	255	24	110	28	15	56	20	2,9

**BMM-Svingblokke**  
**BMM-Swing blocks**  
**BMM-Pasteca abridora**

Rustfri  
 Stainless steel  
 Acero inoxidable



Vare nr. Part no. Parte no.	A	B	C	Vægt Weight Peso	For sjækkel For shackle Por grillete
	mm	mm	mm	Kg	
KSW 1-BESLAG	32	21	17,5	0,1	F 12 HGPS
KSW 2-BESLAG	40	28	20,5	0,2	F 16 HGPS

**Monteringsbeslag**  
**Mounting fitting**  
**Soporte de suspensión**

Se gruppe "F" for informationer om sjækler.  
 See group "F" for informations about shackles  
 Especificaciones de grilletes: Véanse grupo "F"