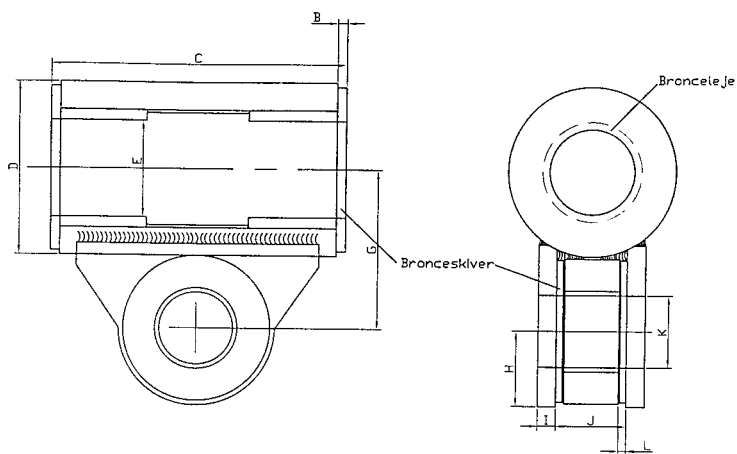


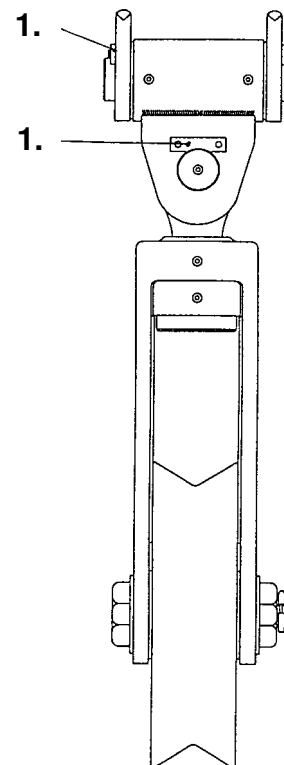
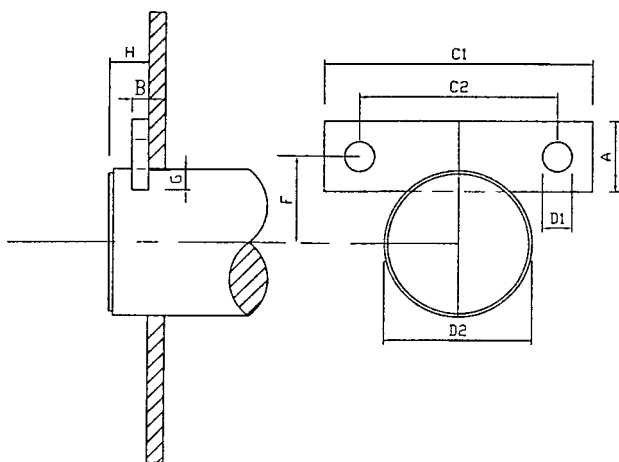
Kardanophæng
Hinge suspension



| Blok vare nr. Block part no. Pasteca art. no. | SWL | A | B | C | D | E | G | H | I | J | K | L | Vægt Weight Peso | Bolt dia. |
|---|-------|-----|----|-----|-----|-------|-----|-----|----|-----|-------|----|------------------------|-----------|
| | 5:1 | mm | mm | mm | mm | mm | mm | mm | mm | mm | mm | mm | kg | mm |
| K 370-2 | 13,0t | 215 | 4 | 223 | 160 | 78,6 | 170 | 80 | 30 | 74 | 78,6 | 0 | 65 | 78 |
| K 400-2 | 15,0t | 215 | 4 | 223 | 160 | 78,6 | 170 | 80 | 30 | 74 | 78,6 | 0 | 65 | 78 |
| K 500-2 | 20,0t | 300 | 4 | 308 | 160 | 78,6 | 185 | 80 | 30 | 80 | 78,6 | 4 | 80 | 78 |
| K 600-2 | 30,0t | 300 | 4 | 308 | 234 | 106,0 | 230 | 110 | 40 | 110 | 106,0 | 4 | 103 | 105 |
| K 650-2 | 30,0t | 300 | 4 | 308 | 234 | 106,0 | 230 | 110 | 40 | 110 | 106,0 | 4 | 103 | 105 |
| K 800-2 | 40,0t | 380 | 8 | 396 | 234 | 106,0 | 230 | 110 | 50 | 110 | 106,0 | 4 | 123 | 105 |
| K 1000-2 | 60,0t | 380 | 8 | 396 | 275 | 125,0 | 260 | 135 | 60 | 190 | 125,0 | 4 | 120 | 124 |

Låseplader m/bolte
Lockplate w/bolts

Rustfri
Stainless steel



| Blok no. | A | B | C ₁ | C ₂ | D ₁ | D ₂ | F | G | H |
|----------|----|----|----------------|----------------|----------------|----------------|------|------|----|
| | mm | mm | mm | mm | mm | mm | mm | mm | mm |
| K 370 | 40 | 10 | 140 | 100 | 17 | 78 | 47,0 | 12 | 22 |
| K 400 | 40 | 10 | 140 | 100 | 17 | 78 | 47,0 | 12 | 22 |
| K 500 | 40 | 10 | 140 | 100 | 17 | 78 | 47,0 | 12 | 22 |
| K 600 | 50 | 12 | 190 | 140 | 21 | 105 | 62,5 | 15 | 25 |
| K 650 | 50 | 12 | 190 | 140 | 21 | 105 | 62,5 | 15 | 25 |
| K 800 | 50 | 12 | 190 | 100 | 21 | 105 | 62,5 | 15 | 25 |
| K 1000 | 50 | 12 | 190 | 140 | 21 | 124 | 70,5 | 16,5 | 25 |

K19A