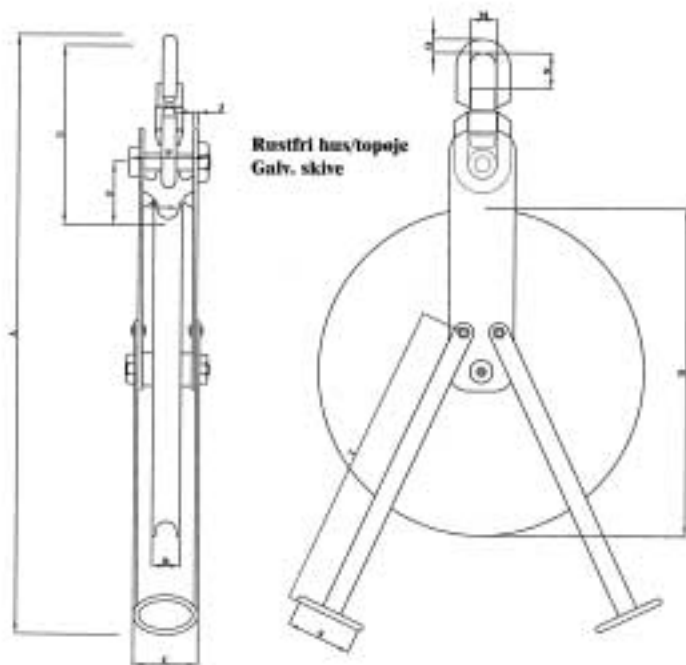


**Netsonde Blok**  
**Netsonde Block**  
**Pastecas Cable**

Nylon Skive  
 Nylon Sheave  
 Rueda de Nylon

Rustfrit stål  
 Stainless steel  
 Acero inoxidable



Vare nr. Part no. Parte no.	SWL	A	B	C	D	F	J	M	N	O	P
KT300-NET	1,2	670	44	99	300	55	6	34	-	12	125
KT300-1-NET	4,0	790	44	99	300	45	10	40	42	22	125
KT500-1-NET	4,0	885	44	99	500	45	10	40	42	22	125

Vare nr. Part no. Parte no.	S	T	U	Vægt Weight Peso
KT300-NET	75	470	130	8,0
KT300-1-NET	75	470	250	22,0
KT500-1-NET	75	470	250	33,0

"1"= Kugleleje, smørbar  
 Ballbearing, greascable  
 Rodamiento para engrasar