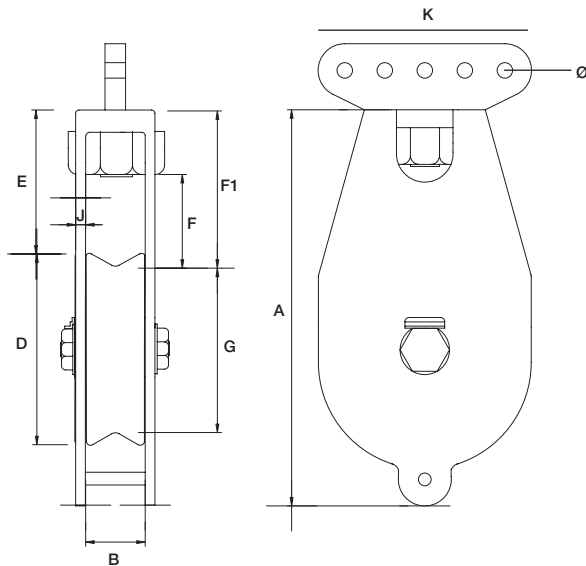


**BMM blokke**  
**BMM blocks**  
**BMM pastecas**

**Bronzeleje**  
**Bronze bushing**  
**Cojinete de**  
**bronce**

**Galvaniseret**  
**Galvanized**  
**Galvanizadas**



| Vare nr.<br>Part no.<br>Parte no. | SWL | A   | B  | D   | E   | F   | F1  | G   | J  | K   | Ø  | MAX<br>WIRE | Vægt<br>Weight<br>Peso |
|-----------------------------------|-----|-----|----|-----|-----|-----|-----|-----|----|-----|----|-------------|------------------------|
|                                   | Ton | mm  | mm | mm  | mm  | mm  | mm  | mm  | mm | mm  | mm | mm          | Kg                     |
| KT 230-□ TG                       | 6,0 | 485 | 57 | 230 | 150 | 110 | 168 | 195 | 8  | 287 | 29 | 28          | 29,0                   |
| KT 300-□ TG                       | 9,0 | 580 | 66 | 300 | 155 | 100 | 175 | 260 | 10 | 337 | 33 | 28          | 55,0                   |

Mod tillæg kan alle blokke leveres:  
 Against extra charge are all blocks available:  
 Todas Pastecas estan disponibles, contra suplemento de precio:

- 'B' Hundsvot.  
Becket.  
Anilla in el fondo.
- 'C' Testet med certifikat.  
Tested with certificate.  
Probadas y certificadas.
- 'H' Hærdet skive.  
Flame hardened sheave.  
Rueda templada a fuego.

Ved bestilling tilføj bogstav, f.eks. KT 230-1EGC.  
 On order add letter, e.g. KT 230-1EGC.  
 Indicar en su pedido p.e. KT 230-1EGC.