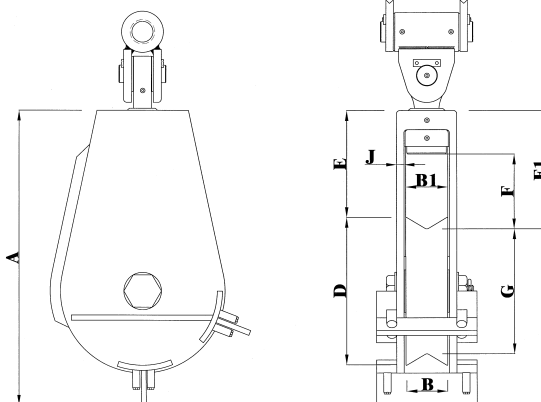
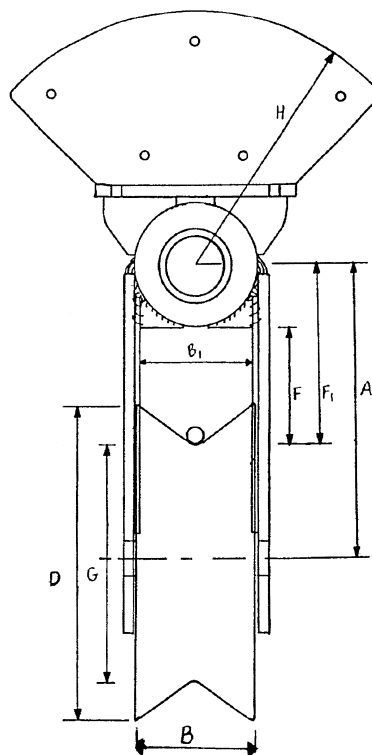
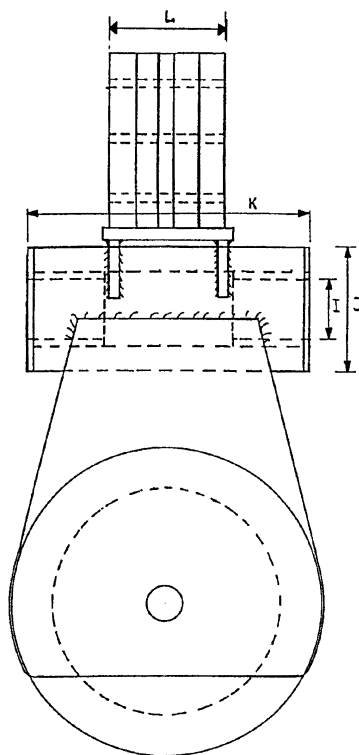


**BMM-Trawl blokke, midter**  
**BMM-Trawl blocks, center**  
**BMM-Pastecas de arrastre, medio**

Blåmalet  
Blue painted  
Pintada da azul



Blok vare nr. Block part no. Pasteca art. no.	SWL 5:1	A	B	C	D	E	F	F <sub>1</sub>	G	J	Vægt Weight Peso
	Ton	mm	mm	mm	mm	mm	mm	mm	mm	mm	kg
KM 650-2A <input type="checkbox"/>	30,0	975	240	220	650	335	225	415	500	20	535
KM 800-2A <input type="checkbox"/>	45,0	1120	240	220	800	340	240	440	600	20	795



**Blokke m/kontravægt**  
**Blocks w/contraweight**  
**Pastedas de contrapeso**

Vare nr. Part no. Parte no.	SWL	A	B	B <sub>1</sub>	D	F	F <sub>1</sub>	G	H	I	J	K	L	Vægt Weight Peso
	5:1	mm	mm	mm	mm	mm	mm	mm	mm	mm	mm	mm	mm	kg
KK 650-2H	30	595	240	228	650	240	260	470	500	119	236	560	230	
KK 800-2H	40	670	240	228	800	240	360	600	500	119	236	560	300	